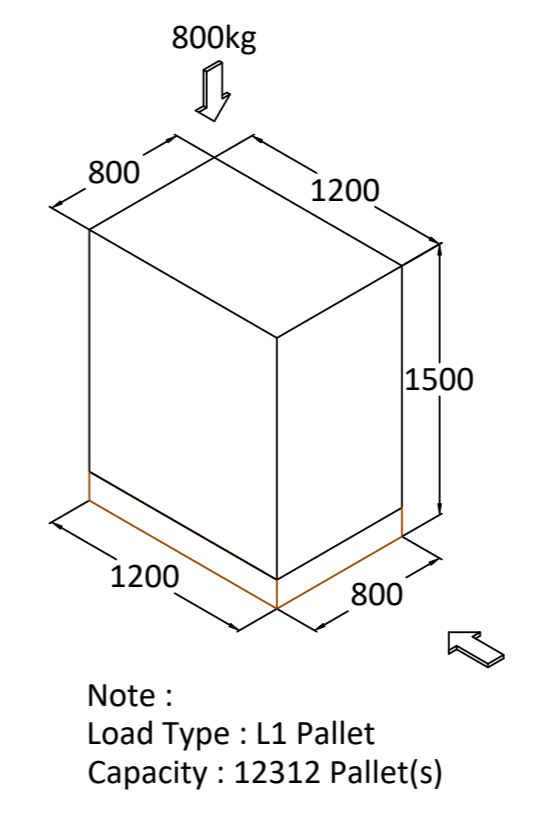
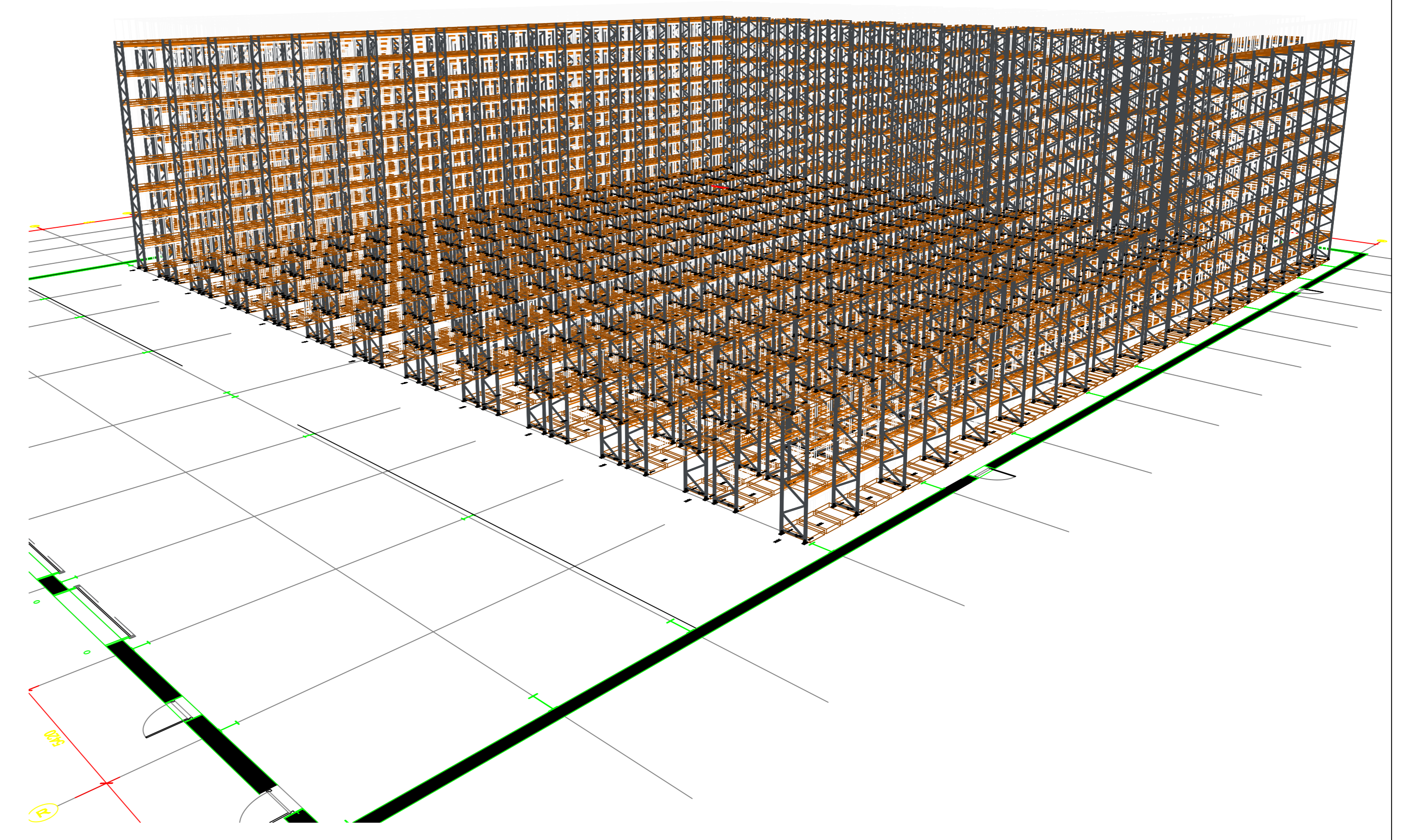
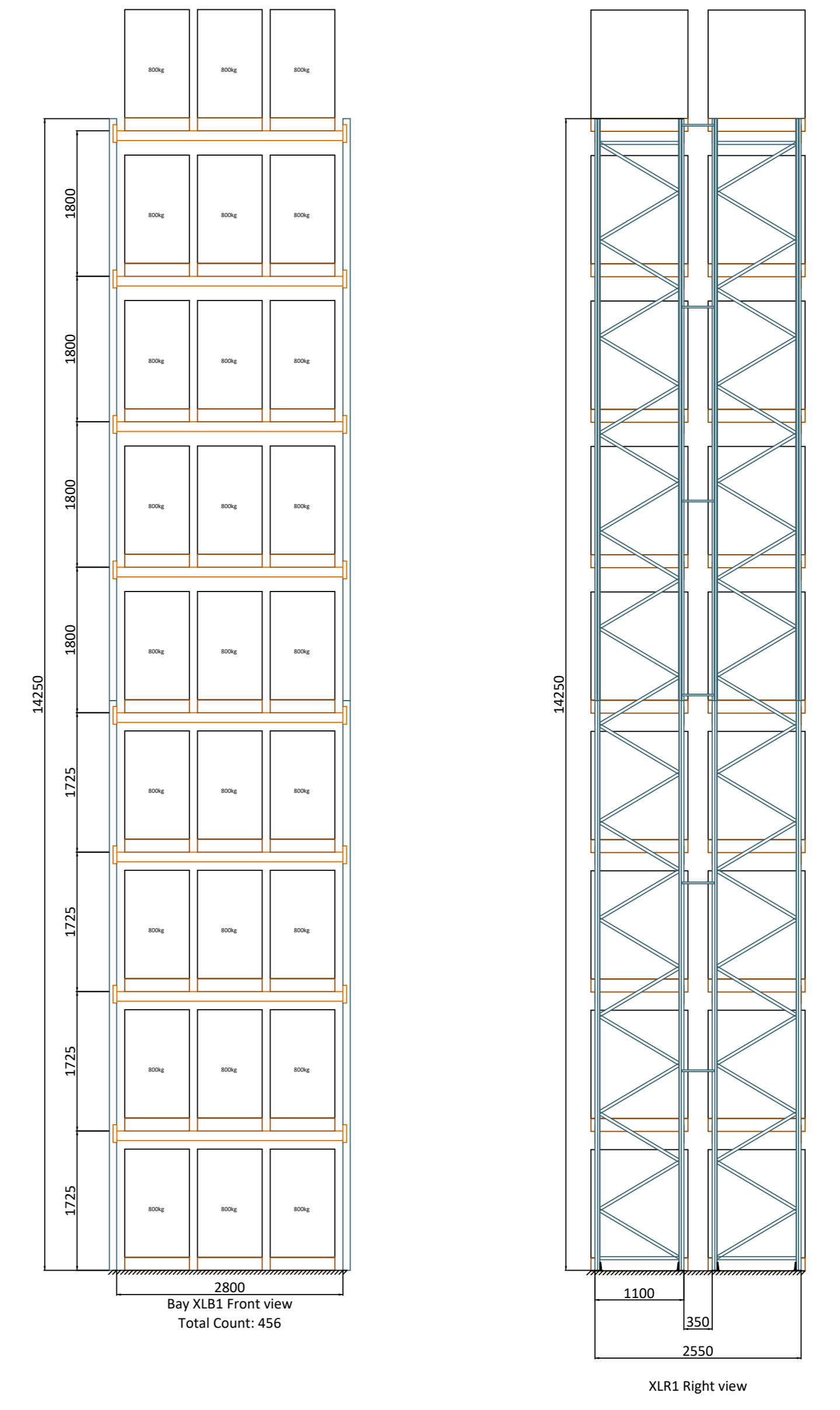
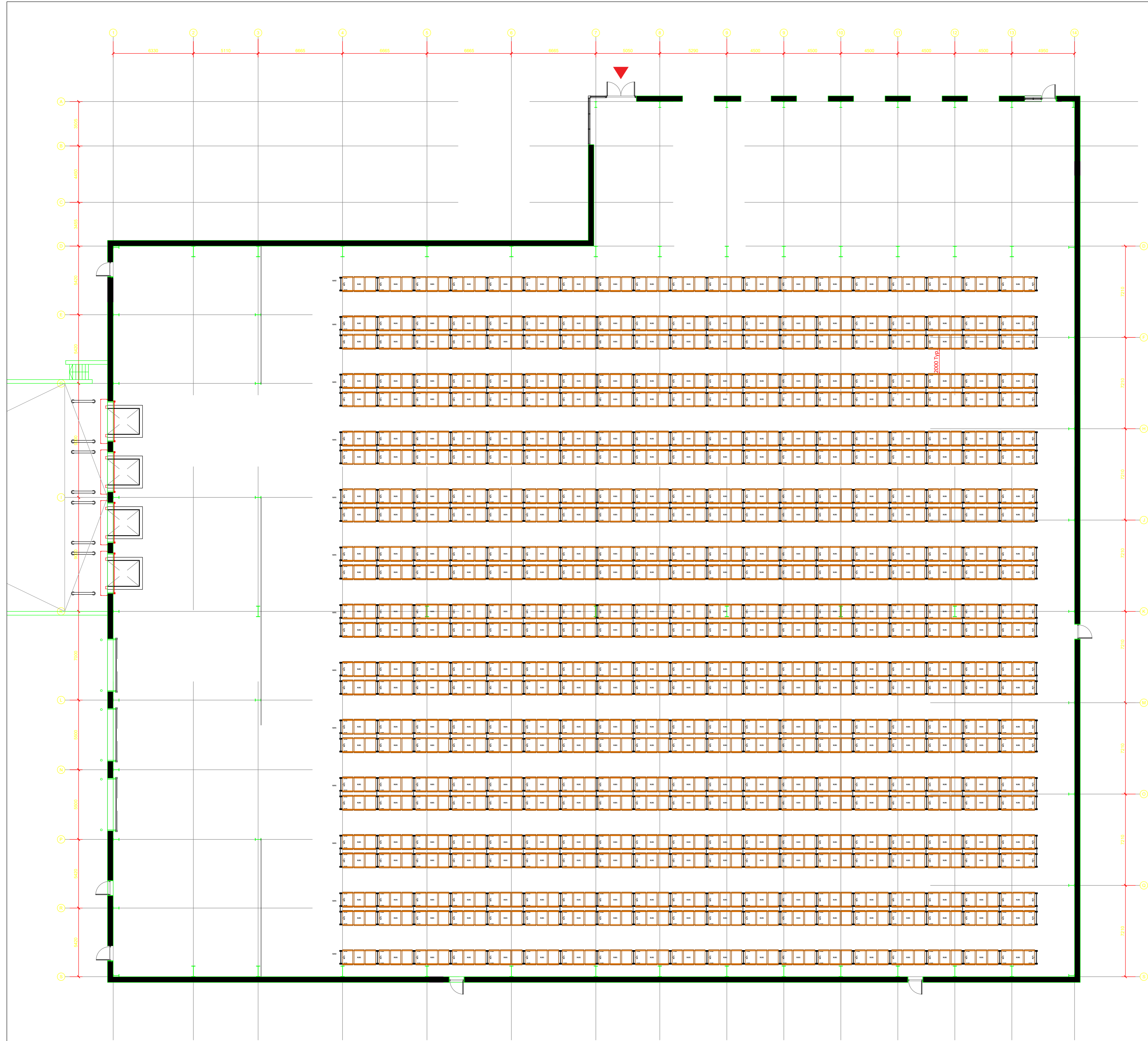


<small>Whittan Group Link House, Northfield, A. Telford, TF7 2BL, United Kingdom www.whittan.com T: +44 (0)1902 462 251</small>			
Rev No.	Date	Sign	Description
Wide Aisle Pallet Racking Layout for: Lambert Smith Hampton Site - Park Royal			
Drawn By: AP	Checked By: OJ/MS/2015	Date: JAN/2015	Drawing and Control Number: A0
<small>This Drawing remains the property of Whittan Group ©</small>			<small>D360-41707-00329-00</small>



Note :
Load Type : L1 Pallet
Capacity : 12312 Pallet(s)

<small>Whittan Group Link House, Northfield, A. Telford, TF7 2BL, United Kingdom www.whittan.com T: +44 (0)1902 462 251</small>			
Rev No.	Date	Sign	Description
This Drawing remains the property of Whittan Group ©			
Narrow Aisle Pallet Racking Layout for: Lambert Smith Hampton Site - Park Royal			
<small>SCALE: DO NOT SCALE</small>	<small>Drawn By: AMP</small>	<small>Checked By: OJ/MS/2015</small>	<small>Date: AO</small>
<small>Whittan Group Link House, Northfield, A. Telford, TF7 2BL, United Kingdom www.whittan.com T: +44 (0)1902 462 251</small>			<small>Drawing and Control Number: D360-41707-00329-01</small>